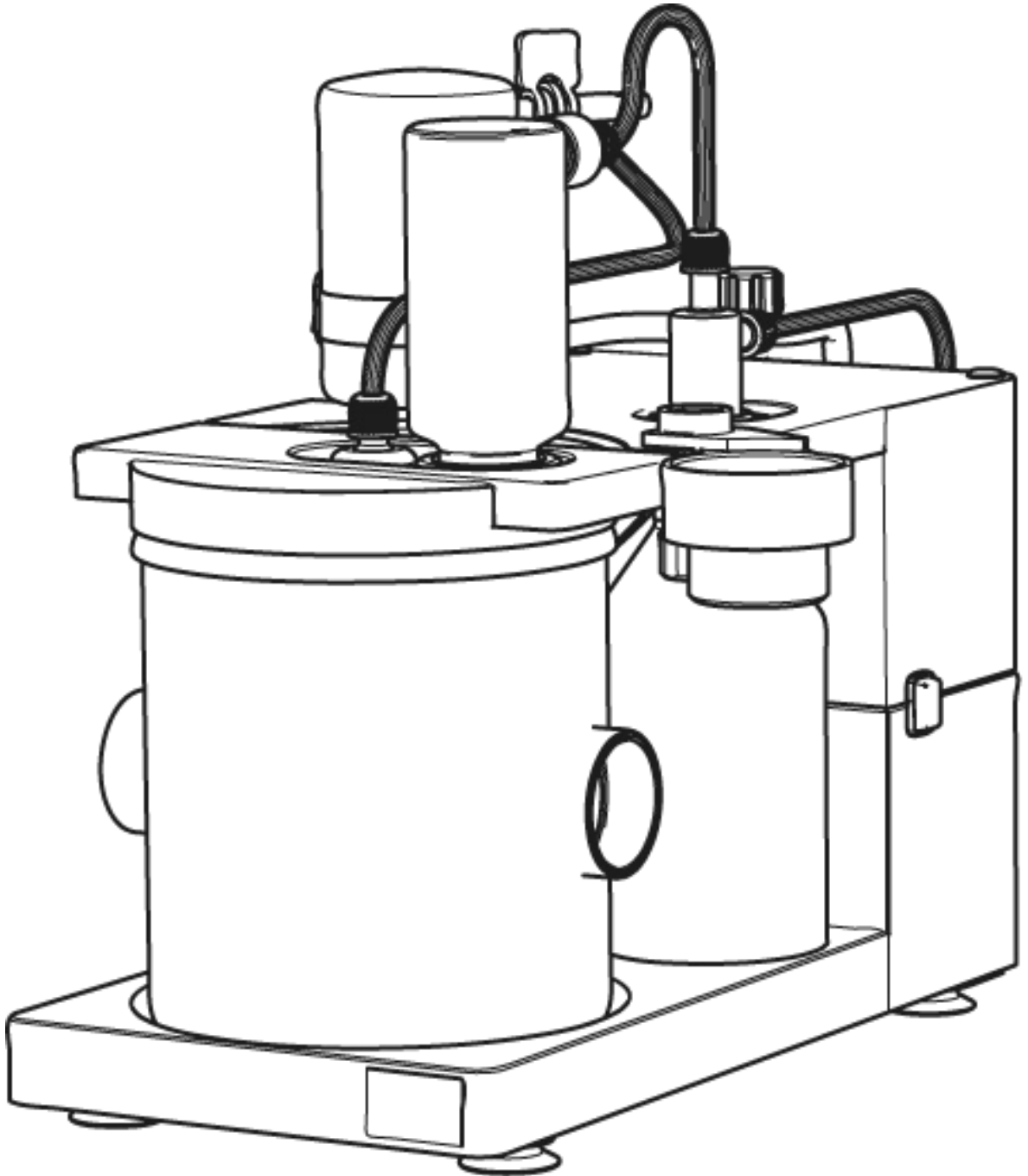




Scrubber K-415

Technical data sheet

The Scrubber^{ECO} models protect the environment not just by neutralizing the poisonous fumes but also by using just as much tap water as necessary by means of the automatic cooling water control. Each Scrubber is modularly extendable to a QuadScrub^{ECO} model.



Scope of delivery

All Scrubber models are delivered ready to use and are complete of:

Components	DuoScrub	TripleScrub	TripleScrub ^{ECO}	QuadScrub ^{ECO}
Condensation step		•	•	•
Neutralization step	•	•	•	•
Adsorption step	•	•	•	•
Reaction step				•
Cooling water control			•	•
Tray for adsorption storage		1	1	1
Silicone hose for cooling water		3 m	3 m	3 m
Hose for water control			2 m	2 m
Adapter with sieve for tap			1	1
Multi-tool			1	1
Connection cable to digester			1	1

Order code

Choose the configuration according to your needs:



- Supply voltage
- 10 100 V ±10 % 50/60 Hz
 - 12 120 V ±10 % 50/60 Hz
 - 23 230 V ±10 % 50/60 Hz

- Scrubber K-415 model
- 20 DuoScrub (neutralization & adsorption)
 - 30 TripleScrub (condensation, neutralization & adsorption)
 - 31 TripleScrubECO (condensation, neutralization & adsorption with cooling water control)
 - 41 QuadScrubECO (condensation, neutralization, adsorption & reaction with cooling water control)

Technical data

Scrubber K-415

	DuoScrub	TripleScrub	TripleScrub ^{ECO}	QuadScrub ^{ECO}
Dimensions (W x D x H)	248 x 412 x 526 mm	347 x 417 x 526 mm	347 x 417 x 543 mm	347 x 450 x 543 mm
Weight	10.1 kg	11.2 kg	12.3 kg	12.9 kg
Connection voltage	100 - 230 VAC ± 10 %	100 - 230 VAC ± 10 %	100 - 230 VAC ± 10 %	100 - 230 VAC ± 10 %
Power consumption	140 W	140 W	140 W	140 W
Frequency	50 / 60 Hz	50 / 60 Hz	50 / 60 Hz	50 / 60 Hz
Current consumption	1 - 2 A	1 - 2 A	1 - 2 A	1 - 2 A
Overvoltage category	II	II	II	II
Pollution degree	2	2	2	2
System suction capacity (adjustable)	50 – 400 mbar	50 – 400 mbar	50 – 400 mbar	50 – 400 mbar
Pump suction capacity	32 L/min	32 L/min	32 L/min	32 L/min

Accessories

	Order no.
Condensation step (for DuoScrub)	11058460
Reaction step (for DuoScrub & TripleScrub)	11058461
Cooling water valve (for 230 V models)	11058462
Cooling water valve (for 100 or 120 V models)	11058673
Tray for adsorption storage (for DuoScrub)	11057332
TKN Set easy collection and drain of condensate	11057333
Condensate bottle (secondary)	025100
Multi-Tool For K-415 ECO models	11058474
Connection cable to digester The Scrubber is controlled by the digester by the cable connection (already incl. at Scrubber ECO models)	030973
IQ/OQ set (EN)	11058568
Repeating OQ (EN)	11058569

Maintenance kits

	Order no.
Kit Customer K-415 Frequently used wear and spare parts for self-servicing your device, conveniently gathered in one kit	11062614

Description of function

The aggressive acid or alkali fumes are sucked off by means of the powerful pump into the first stage for precondensation to avoid dilution of the second stage. The output from the condensation stage is neutralized in the neutralization vessel. The third stage then collects particles of organic and inorganic substances. The fourth stage is for specific reactions such as reduction or oxidation (e.g. for aqua regia digestion).

A Condensation step

- ① Fumes in
- ② Condenser
- ③ Condensate vessel
- ④ Cooling water inlet
- ⑤ Cooling water outlet

B Neutralization step

- ⑥ Neutralization vessel

C Adsorption step

- ⑦ Adsorption vessel

D Reaction step

- ⑧ Reaction vessel
- ⑨ Pump

